

## MU-AV/A-06C-ST

### 1 × 3 RCA Module Metal Plate (With Control)



The ABtUS **IFP-600 Series** of modular interface panel comes in both UK (86mm x 86mm) and US (70mm x 114mm) single and double gang sizes that could hold 1, 2 or 4 modules per plate respectively. ABtUS also offers a wide selection of modules for added flexibility.

The modular plate comes with an option of an additional control button for simplified input switching and controls.

The IFP-600 Series is designed and manufactured using robust metal plate for added durability.

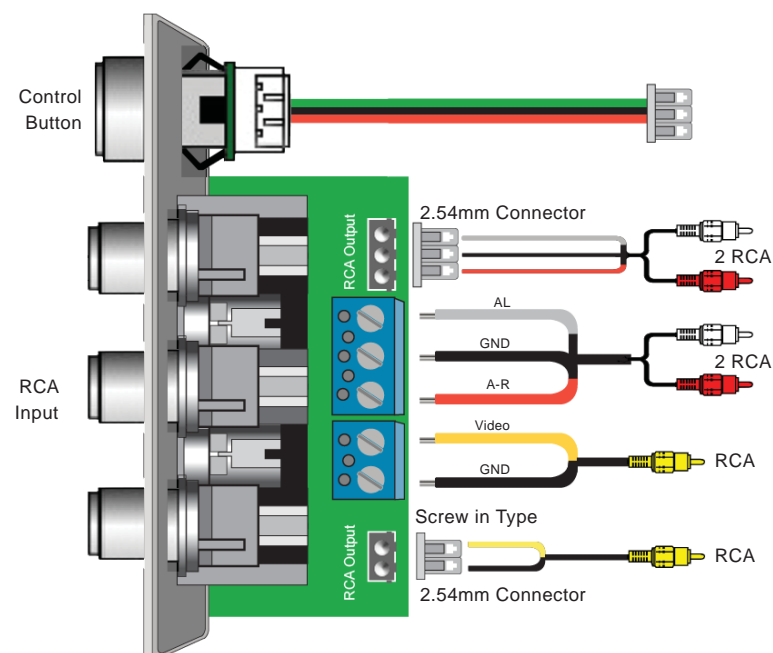
#### Features

- Customizable Modules for added flexibility
- Integrated with individual control button for convenient one touch switching & controls
- Simple Plug & Play

#### Technical specification

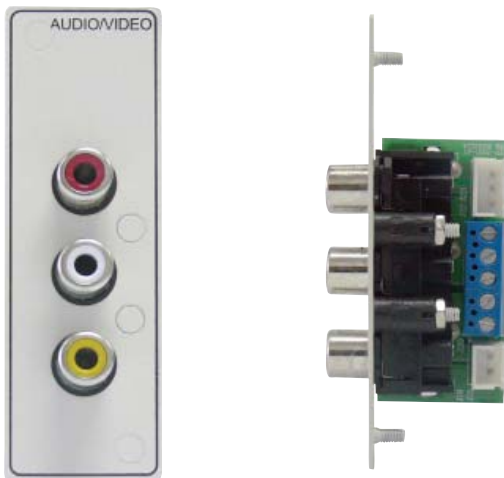
**Input:** 1 × 3 RCA  
**Output:** 1 × 3 RCA  
 (F-2.54mm connector)  
 or (F-screw type connector)

#### Diagram



## MU-AV/A-06-ST

### 1 × 3 RCA Module Metal Plate



The ABtUS **IFP-600 Series** of modular interface panel comes in both UK (86mm x 86mm) and US (70mm x 114mm) single and double gang sizes that could hold 1, 2 or 4 modules per plate respectively. ABtUS also offers a wide selection of modules for added flexibility.

The modular plate comes with an option of an additional control button for simplified input switching and controls.

The IFP-600 Series is designed and manufactured using robust metal plate for added durability.

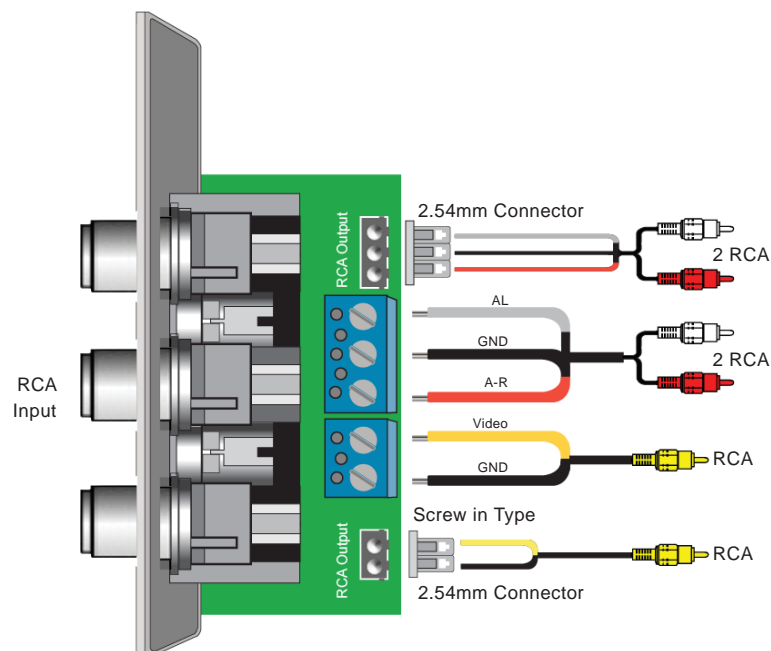
#### Features

- Customizable Modules for added flexibility
- Simple Plug & Play

#### Technical specification

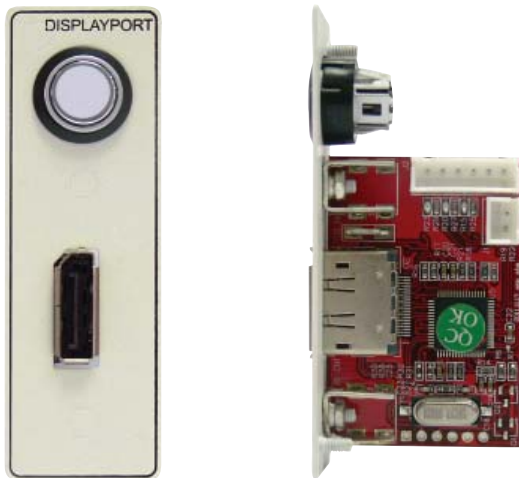
**Input:** 1 × 3 RCA  
**Output:** 1 × 3 RCA  
 (F-2.54mm connector)  
 or (F-screw type connector)

#### Diagram



## MU-DP/A-06C-ST

### 1 × Display Port Module Metal Plate (With Control)



The ABtUS **IFP-600 Series** of modular interface panel comes in both UK (86mm x 86mm) and US (70mm x 114mm) single and double gang sizes that could hold 1, 2 or 4 modules per plate respectively. ABtUS also offers a wide selection of modules for added flexibility.

The modular plate comes with an option of an additional control button for simplified input switching and controls.

The IFP-600 Series is designed and manufactured using robust metal plate for added durability.

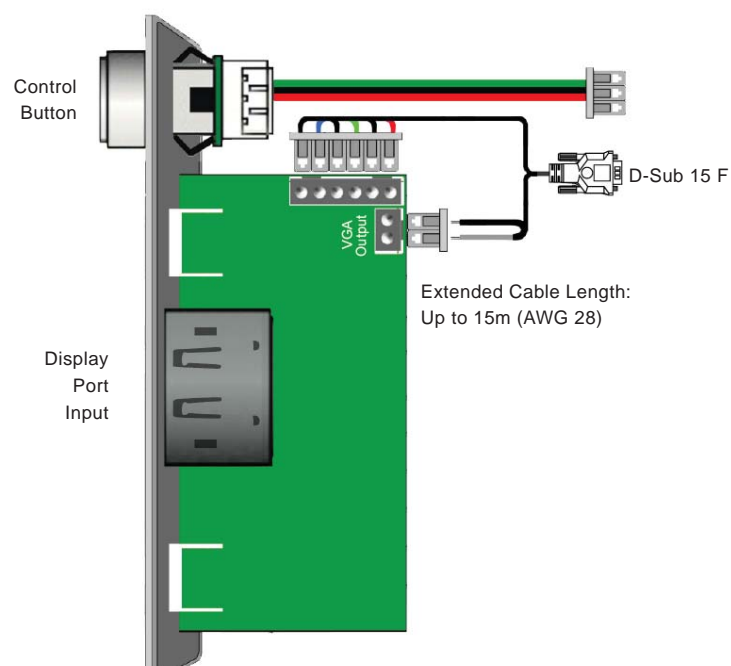
#### Features

- Customizable Modules for added flexibility
- Integrated with individual control button for convenient one touch switching & controls
- Simple Plug & Play

#### Technical specification

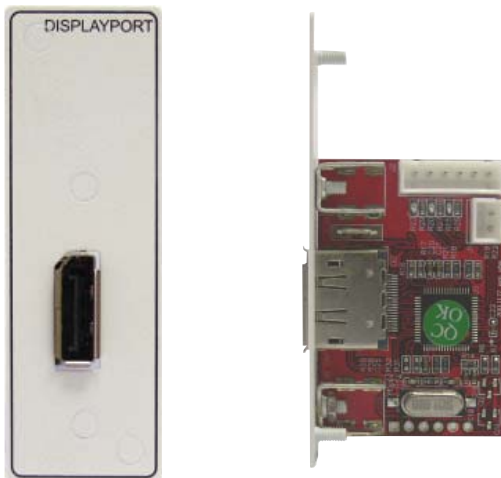
**Input:** 1 × Display Port  
**Output:** 1 × Display Port  
(F-2.54mm connector)

#### Diagram



## MU-DP/A-06-ST

### 1 × Display Port Module Metal Plate



The ABtUS **IFP-600 Series** of modular interface panel comes in both UK (86mm x 86mm) and US (70mm x 114mm) single and double gang sizes that could hold 1, 2 or 4 modules per plate respectively. ABtUS also offers a wide selection of modules for added flexibility.

The modular plate comes with an option of an additional control button for simplified input switching and controls.

The IFP-600 Series is designed and manufactured using robust metal plate for added durability.

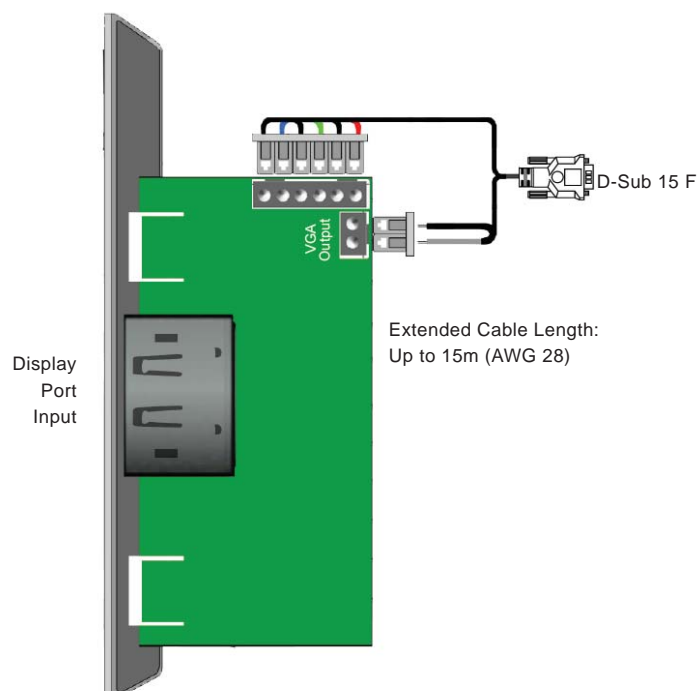
#### Features

- Customizable Modules for added flexibility
- Simple Plug & Play

#### Technical specification

**Input:** 1 × Display Port  
**Output:** 1 × Display Port  
(F-2.54mm connector)

#### Diagram



## MU-GA/A-06C-ST

### 1 × VGA/Audio Module Metal Plate (With Control)



The ABtUS **IFP-600 Series** of modular interface panel comes in both UK (86mm x 86mm) and US (70mm x 114mm) single and double gang sizes that could hold 1, 2 or 4 modules per plate respectively. ABtUS also offers a wide selection of modules for added flexibility.

The modular plate comes with an option of an additional control button for simplified input switching and controls.

The IFP-600 Series is designed and manufactured using robust metal plate for added durability.

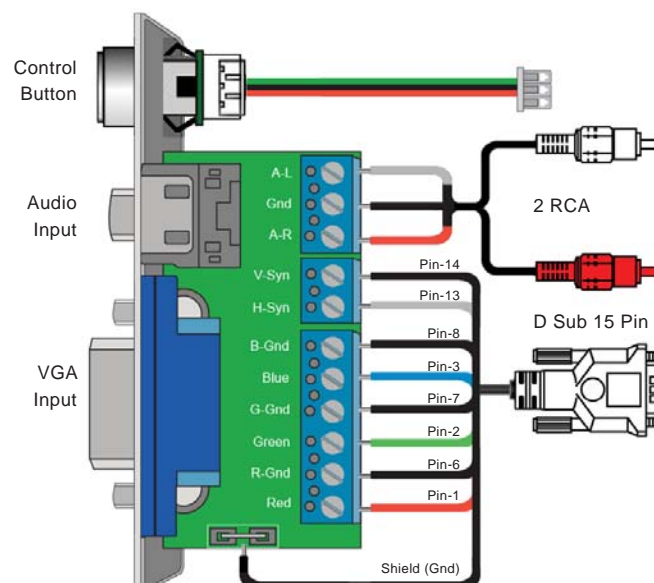
#### Features

- Customizable Modules for added flexibility
- Integrated with individual control button for convenient one touch switching & controls
- Simple Plug & Play

#### Technical specification

**Input:** 1 × VGA / Audio  
**Output:** 1 × VGA / Audio  
 (F-2.54mm connector)  
 or (F-screw type connector)

#### Diagram



## MU-GA/A-06-ST

### 1 × VGA/Audio Module Metal Plate



The ABtUS **IFP-600 Series** of modular interface panel comes in both UK (86mm x 86mm) and US (70mm x 114mm) single and double gang sizes that could hold 1, 2 or 4 modules per plate respectively. ABtUS also offers a wide selection of modules for added flexibility.

The modular plate comes with an option of an additional control button for simplified input switching and controls.

The IFP-600 Series is designed and manufactured using robust metal plate for added durability.

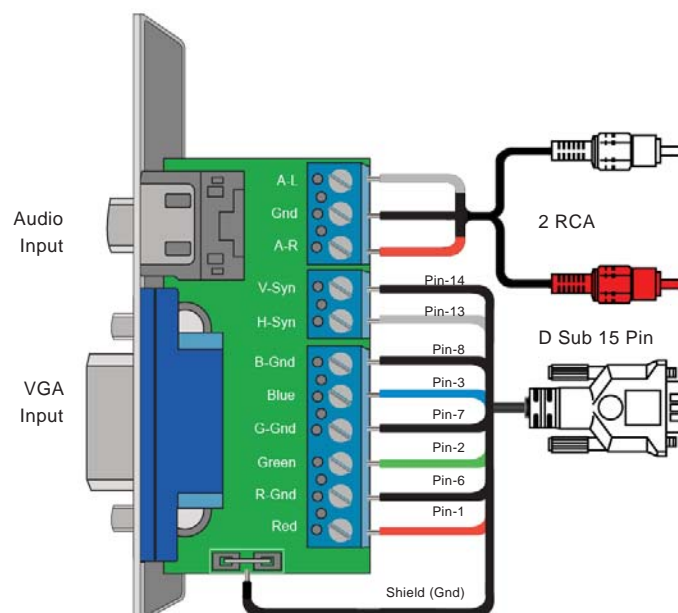
#### Features

- Customizable Modules for added flexibility
- Simple Plug & Play

#### Technical specification

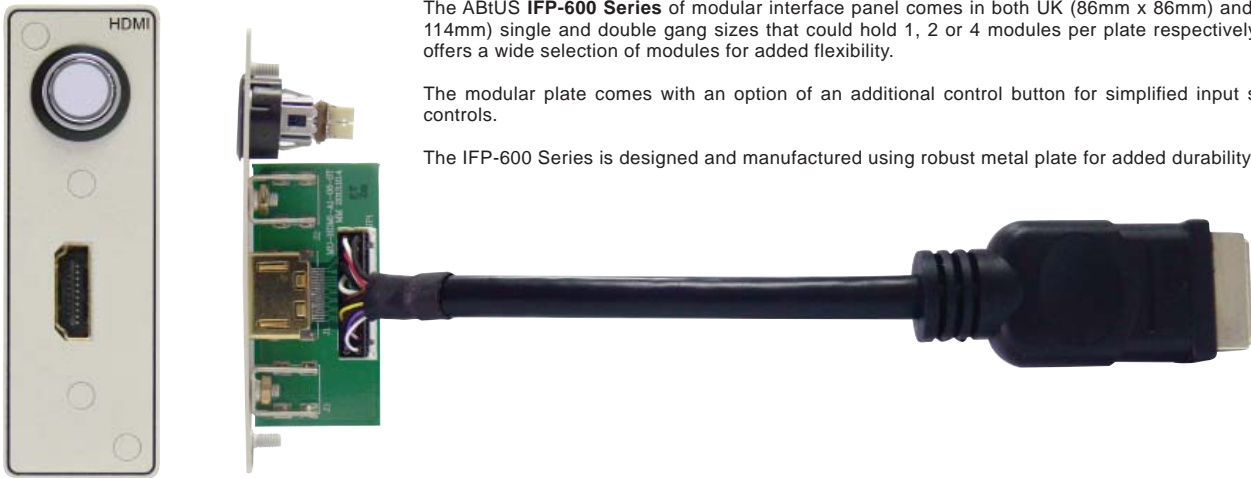
**Input:** 1 × VGA / Audio  
**Output:** 1 × VGA / Audio  
 (F-2.54mm connector)  
 or (F-screw type connector)

#### Diagram



## MU-HDMI/A1-06C-ST

### 1 × HDMI Module Metal Plate (\*2.0mm Pass Through)(With Control)



The ABtUS **IFP-600 Series** of modular interface panel comes in both UK (86mm x 86mm) and US (70mm x 114mm) single and double gang sizes that could hold 1, 2 or 4 modules per plate respectively. ABtUS also offers a wide selection of modules for added flexibility.

The modular plate comes with an option of an additional control button for simplified input switching and controls.

The IFP-600 Series is designed and manufactured using robust metal plate for added durability.

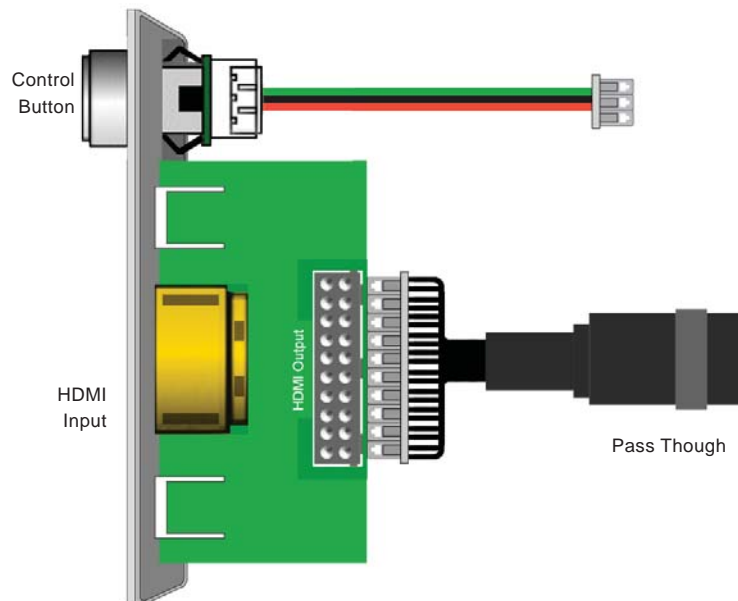
#### Features

- Customizable Modules for added flexibility
- Integrated with individual control button for convenient one touch switching & controls
- Simple Plug & Play

#### Technical specification

**Input:** 1 × HDMI  
**Output:** 1 × HDMI  
(F-2.0mm connector)

#### Diagram



## MU-HDMI/A1-06-ST

### 1 × HDMI Module Metal Plate (\*2.0mm Pass Through)



The ABtUS **IFP-600 Series** of modular interface panel comes in both UK (86mm x 86mm) and US (70mm x 114mm) single and double gang sizes that could hold 1, 2 or 4 modules per plate respectively. ABtUS also offers a wide selection of modules for added flexibility.

The modular plate comes with an option of an additional control button for simplified input switching and controls.

The IFP-600 Series is designed and manufactured using robust metal plate for added durability.



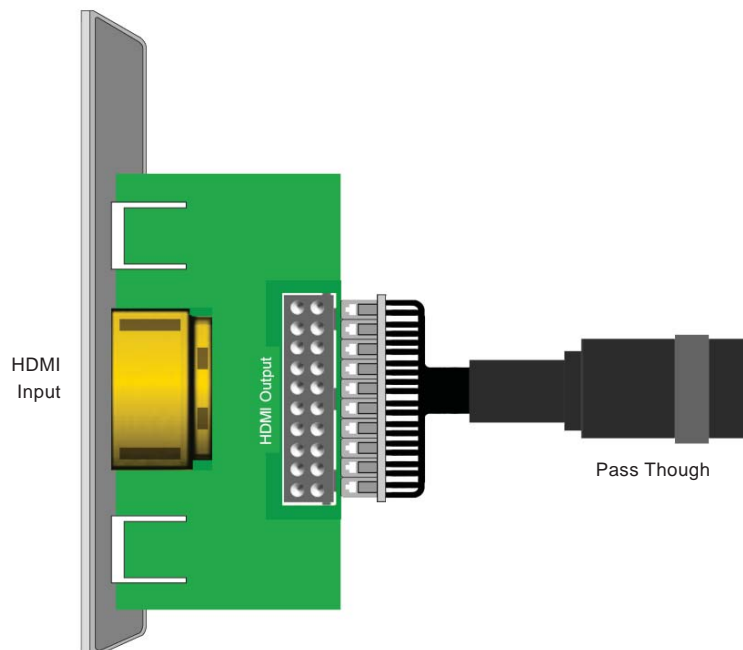
#### Features

- Customizable Modules for added flexibility
- Simple Plug & Play

#### Technical specification

**Input:** 1 × HDMI  
**Output:** 1 × HDMI  
(F-2.0mm connector)

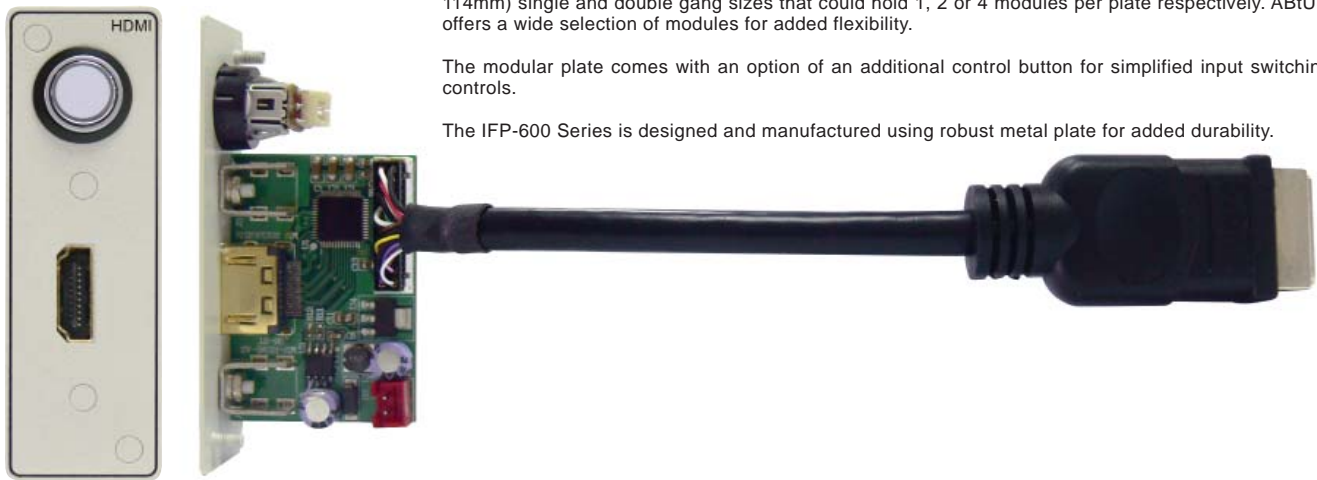
#### Diagram





## MU-HDMI/A2-06C-ST

### 1 × HDMI Module Metal Plate (\*2.0mm with Buffer)(With Control)



The ABtUS **IFP-600 Series** of modular interface panel comes in both UK (86mm x 86mm) and US (70mm x 114mm) single and double gang sizes that could hold 1, 2 or 4 modules per plate respectively. ABtUS also offers a wide selection of modules for added flexibility.

The modular plate comes with an option of an additional control button for simplified input switching and controls.

The IFP-600 Series is designed and manufactured using robust metal plate for added durability.

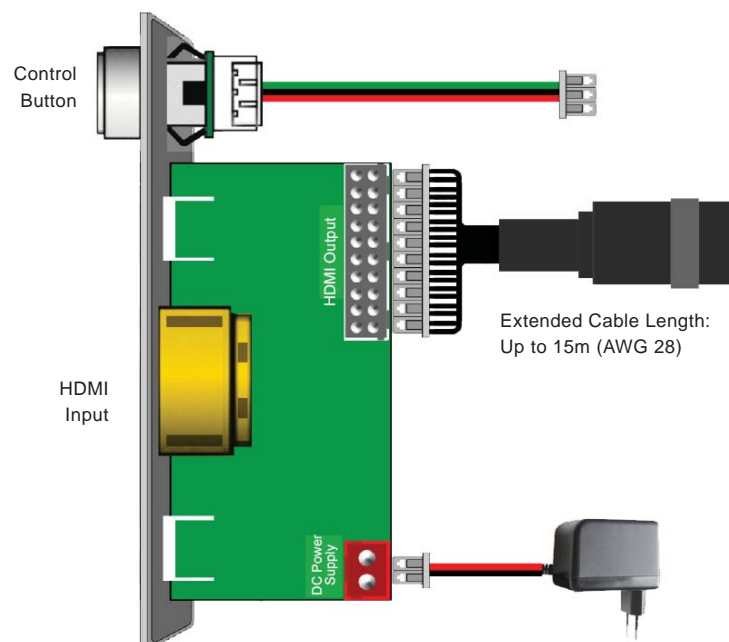
#### Features

- Customizable Modules for added flexibility
- Integrated with individual control button for convenient one touch switching & controls
- Simple Plug & Play

#### Technical specification

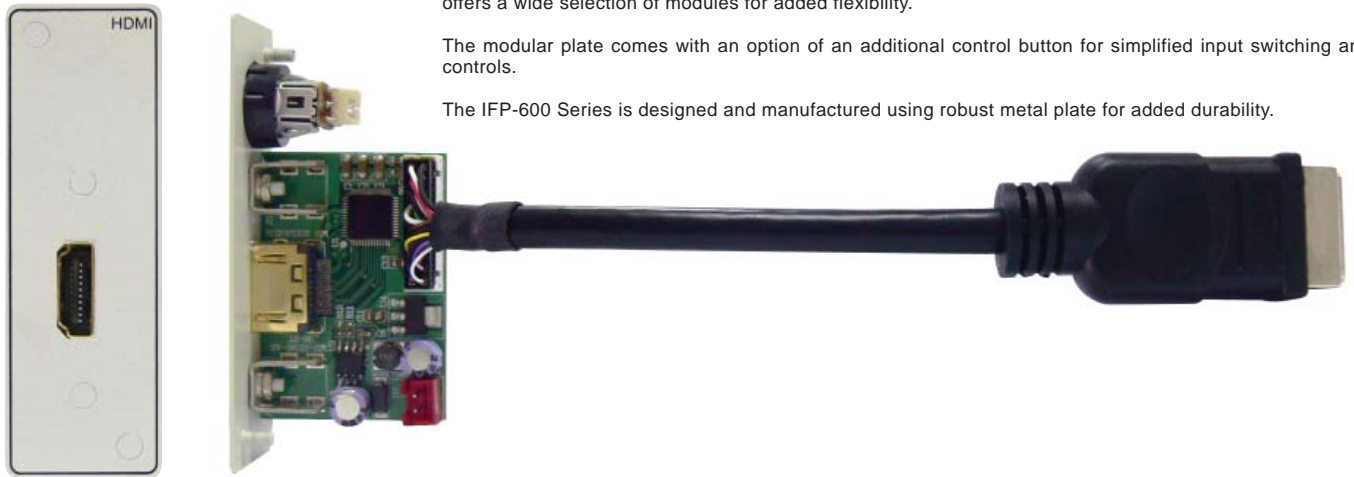
**Input:** 1 × HDMI  
**Output:** 1 × HDMI  
(F-2.0mm connector)

#### Diagram



## MU-HDMI/A2-06-ST

### 1 × HDMI Module Metal Plate (\*2.0mm with Buffer)



The ABtUS **IFP-600 Series** of modular interface panel comes in both UK (86mm x 86mm) and US (70mm x 114mm) single and double gang sizes that could hold 1, 2 or 4 modules per plate respectively. ABtUS also offers a wide selection of modules for added flexibility.

The modular plate comes with an option of an additional control button for simplified input switching and controls.

The IFP-600 Series is designed and manufactured using robust metal plate for added durability.

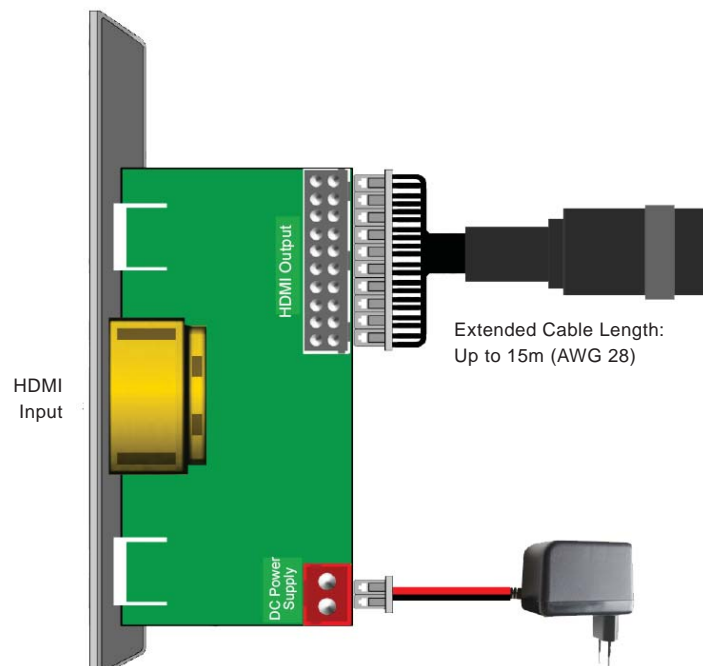
#### Features

- Customizable Modules for added flexibility
- Simple Plug & Play

#### Technical specification

**Input:** 1 × HDMI  
**Output:** 1 × HDMI  
(F-2.0mm connector)

#### Diagram



## MU-USBA-06C-ST

### 1 × USB-A Module Metal Plate (With Control)



The ABtUS **IFP-600 Series** of modular interface panel comes in both UK (86mm x 86mm) and US (70mm x 114mm) single and double gang sizes that could hold 1, 2 or 4 modules per plate respectively. ABtUS also offers a wide selection of modules for added flexibility.

The modular plate comes with an option of an additional control button for simplified input switching and controls.

The IFP-600 Series is designed and manufactured using robust metal plate for added durability.

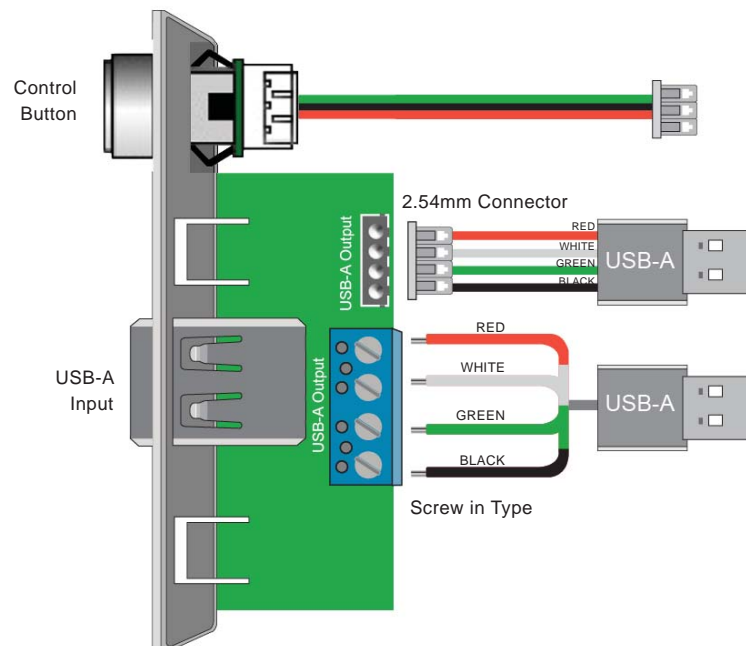
#### Features

- Customizable Modules for added flexibility
- Integrated with individual control button for convenient one touch switching & controls
- Simple Plug & Play

#### Technical specification

**Input:** 1 × USB-A  
**Output:** 1 × USB-A  
(F-2.54mm connector)  
or (F-screw type connector)

#### Diagram



## MU-USBA-06-ST

### 1 × USB-A Module Metal Plate



The ABtUS **IFP-600 Series** of modular interface panel comes in both UK (86mm x 86mm) and US (70mm x 114mm) single and double gang sizes that could hold 1, 2 or 4 modules per plate respectively. ABtUS also offers a wide selection of modules for added flexibility.

The modular plate comes with an option of an additional control button for simplified input switching and controls.

The IFP-600 Series is designed and manufactured using robust metal plate for added durability.

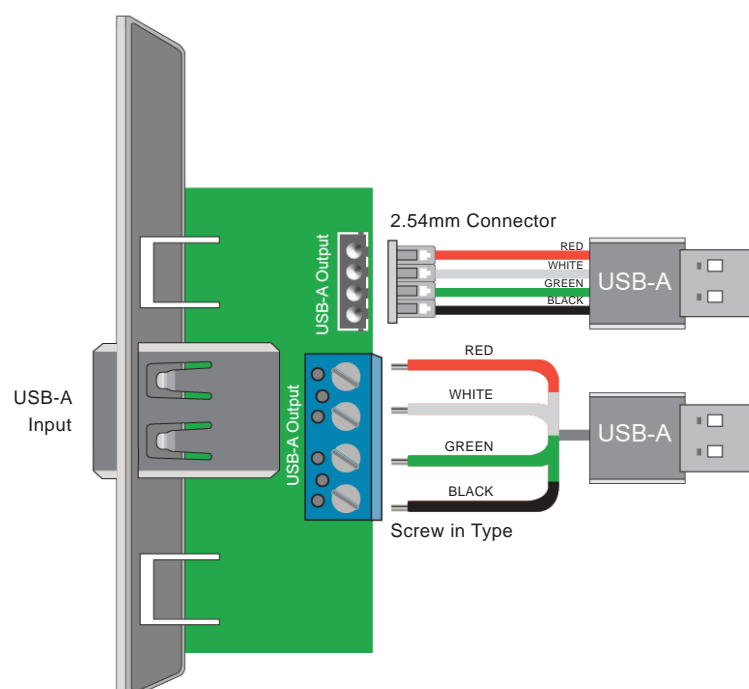
#### Features

- Customizable Modules for added flexibility
- Simple Plug & Play

#### Technical specification

**Input:** 1 × USB-A  
**Output:** 1 × USB-A  
 (F-2.54mm connector)  
 or (F-screw type connector)

#### Diagram



# MU-USBB-06C-ST

## 1 × USB-B Module Metal Plate (With Control)



The ABtUS **IFP-600 Series** of modular interface panel comes in both UK (86mm x 86mm) and US (70mm x 114mm) single and double gang sizes that could hold 1, 2 or 4 modules per plate respectively. ABtUS also offers a wide selection of modules for added flexibility.

The modular plate comes with an option of an additional control button for simplified input switching and controls.

The IFP-600 Series is designed and manufactured using robust metal plate for added durability.

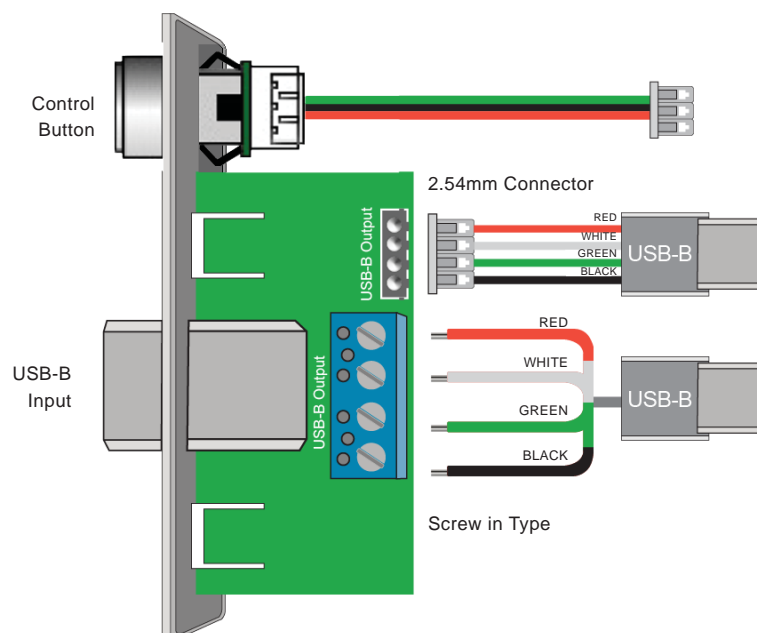
### Features

- Customizable Modules for added flexibility
- Integrated with individual control button for convenient one touch switching & controls
- Simple Plug & Play

### Technical specification

**Input:** 1 × USB-B  
**Output:** 1 × USB-B  
 (F-2.54mm connector)  
 or (F-screw type connector)

### Diagram



## MU-USBB-06-ST

### 1 × USB-B Module Metal Plate



The ABtUS **IFP-600 Series** of modular interface panel comes in both UK (86mm x 86mm) and US (70mm x 114mm) single and double gang sizes that could hold 1, 2 or 4 modules per plate respectively. ABtUS also offers a wide selection of modules for added flexibility.

The modular plate comes with an option of an additional control button for simplified input switching and controls.

The IFP-600 Series is designed and manufactured using robust metal plate for added durability.

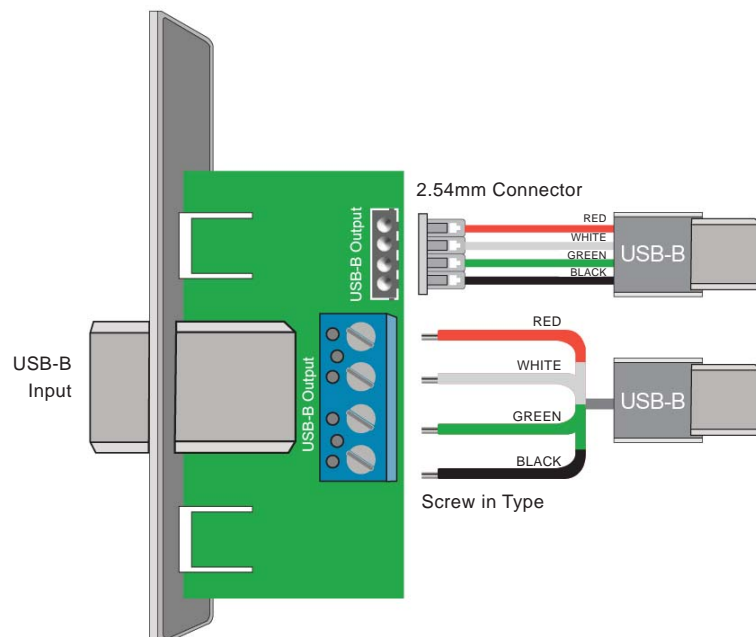
### Features

- Customizable Modules for added flexibility
- Simple Plug & Play

### Technical specification

**Input:** 1 × USB-B  
**Output:** 1 × USB-B  
(F-2.54mm connector)  
or (F-screw type connector)

### Diagram



## MU-PWR-06C-ST

### 1 × Universal Power Plug



The ABtUS **IFP-600 Series** of modular interface panel comes in both UK (86mm x 86mm) and US (70mm x 114mm) single and double gang sizes that could hold 1, 2 or 4 modules per plate respectively. ABtUS also offers a wide selection of modules for added flexibility.

The modular plate comes with an option of an additional control button for simplified input switching and controls.

The IFP-600 Series is designed and manufactured using robust metal plate for added durability.

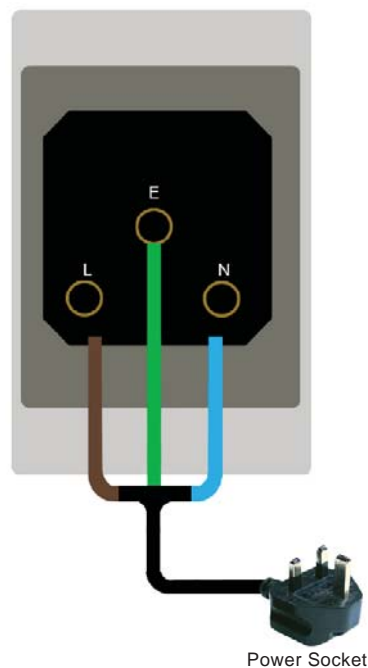
### Features

- Customizable Modules for added flexibility
- Simple Plug & Play

### Technical specification

**Input:** 1 × Power Plug  
**Output:** 1 × Power Plug

### Diagram



## MU-TP1-06-ST

### 1 × RJ45 F-F Module Metal Plate



The ABtUS **IFP-600 Series** of modular interface panel comes in both UK (86mm x 86mm) and US (70mm x 114mm) single and double gang sizes that could hold 1, 2 or 4 modules per plate respectively. ABtUS also offers a wide selection of modules for added flexibility.

The modular plate comes with an option of an additional control button for simplified input switching and controls.

The IFP-600 Series is designed and manufactured using robust metal plate for added durability.

#### Features

- Customizable Modules for added flexibility
- Simple Plug & Play

#### Technical specification

**Input:** 1 × RJ45  
**Output:** 1 × RJ45

#### Diagram

